

Visconte



okamura



Visconte

The grid pattern of “Visconte” has been inspired by the Japanese architectural form “Kohshi.” The traditional wisdom realized in this grid structure helps block the light gently and divide the space quietly. In Visconte, this grid patterned backrest offers a surprisingly soft sense of coziness. Once you sit down, the comfort and performance of this new seating will be surely recognized.



FLEXIBLE GRID BACK

The grid back fits the user's physique perfectly, created from the advanced technologies and ergonomic engineering of Okamura.

The unique backrest of Visconte makes full use of our "Finite Element Analysis Technology." This innovative design has given birth dedicatedly to provide ergonomic comfort by fully utilizing the features of its materials and computing physical load balance. By controlling the shape of the slots, the Flexible Grid Back holds where you need support, while stretches where you need softness.



SOFT & COMFORT

The upper portion of backrests bear the highest load. This portion flexes widely when pressure is given. It is designed to create softness, comfort and pressure distribution to the back.



SUPPORT

The support to the lumbar is important for ideal posture. The grid back of Visconte provides elastic, but stable support to this part of peoples back.



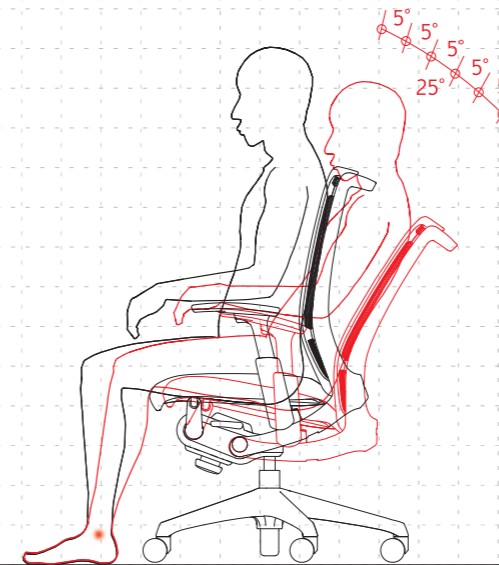
FULL ERGONOMIC SUPPORT



“Visconte” satisfies with all the required features for ergonomic comfort.

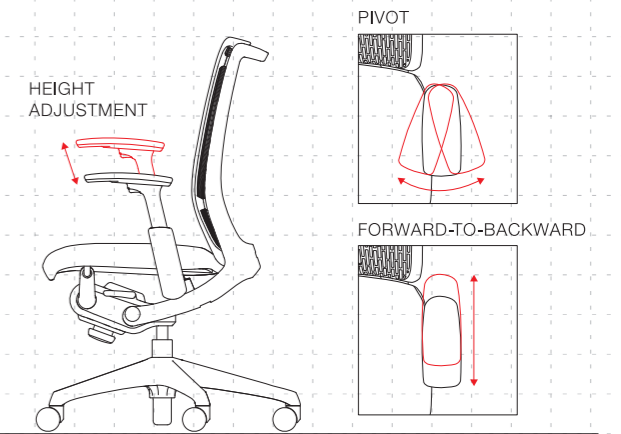
Office seating is the only furniture that comes in contact with the human body directly and widely during long working periods. Working quality directly relates to comfort. Okamura believes ergonomic designs guarantee maximum physical and mental well-being. Visconte makes the most of our long year research in ergonomic engineering.

RECLINING MECHANISM



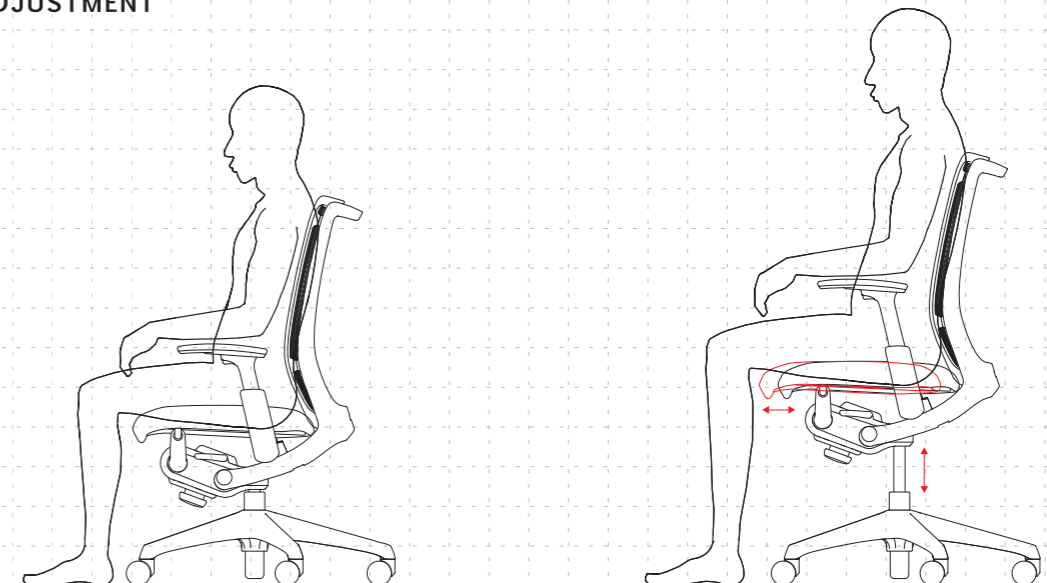
The original “ankle-tilt reclining” system interlocks the backrest and seat with the ankle centrally located in the movement. This mechanism developed by the joint of engineering excellence and ergonomic research, assures natural posture for hours of comfort. Backrest can be locked in several positions for user application. Reclining tension control is provided at the front side of the chair.

ADJUSTABLE ARMREST



Armrest moves vertical, forward-to-backward, and pivots. They will protect the worker as much as possible from fatigue during long periods of computer work.

SEAT DEPTH ADJUSTMENT



The seat depth can be adjusted forward-to-backward 50mm, easily by one-hand. This intelligent feature helps adjusting to the most appropriate sizing for wide range of people.

CUSHION

PLAIN

MESH

3-TYPE BACKREST SELECTION

Three types of backrest designs are available to meet every expected situation. They are environmentally friendly in design, with easily attachable and detachable functions.



The basic design fits any conceivable workplaces.



The user may surely feel the softness of the backrest material.



A single layer of mesh changes both the feeling and design.

MULTIPLE VARIATIONS

Visconte is an office seating series that comfortably meets the needs of more diversified workplace environments.

In order to meet the broad range of needs of individuals, workplaces and business scenes, Visconte offers a variety of selectable specifications.



SELECTION FLOW

STEP 1

BACKREST DESIGN



PLAIN

CUSHION

MESH

STEP 2

SHELL COLOR



BLACK

GRAY

STEP 3

BACKREST HEIGHT



LOW BACK

HIGH BACK

STEP 4

SEAT

SEAT DEPTH ADJUSTMENT



FIXED SEAT / DEPTH ADJUSTABLE SEAT

SEAT COLOR



BLACK

LIGHT GRAY

ORANGE

RED

MEDIUM BLUE

PISTACHIO GREEN

STEP 5

ARMREST



ARMLESS

FIXED ARMREST

ADJUSTABLE ARMREST

STEP 6

OPTIONS



ADJUSTABLE LUMBAR SUPPORT

An optional height-adjustable lumbar support is available for those who need additional support.

COAT HANGER

An optional coat hanger is attachable to the seat back.

FREE RECLINING TYPE

A reclining mechanism without position lock is available for specific scenes.

COLOR VARIATIONS

Visconte provides a broad selection of colors. To brighten your beginning of the day, warm up your afternoon, vivid the long meeting and cool down before leaving the day.



BACKREST	PLAIN	PLAIN	CUSHION	CUSHION	MESH	MESH	BACKREST	MESH	PLAIN	CUSHION	CUSHION	PLAIN	PLAIN
BODY	BLACK	GRAY	BLACK	GRAY	BLACK	BLACK	BODY	BLACK	GRAY	BLACK	GRAY	BLACK	GRAY
SEAT	ORANGE	LIGHT GRAY	MEDIUM BLUE	PISTACHIO GREEN	BLACK	BLACK	SEAT	MEDIUM BLUE	PISTACHIO GREEN	RED	ORANGE	LIGHT GRAY	BLACK



MEDIUM BLUE



BLACK



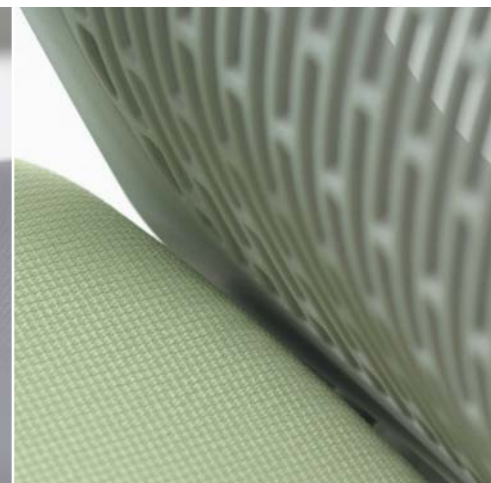
RED



ORANGE



LIGHT GRAY



PISTACHIO GREEN



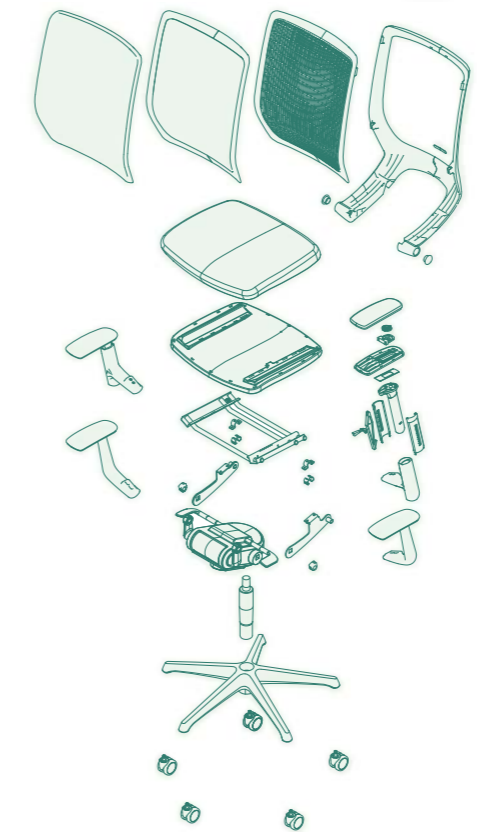
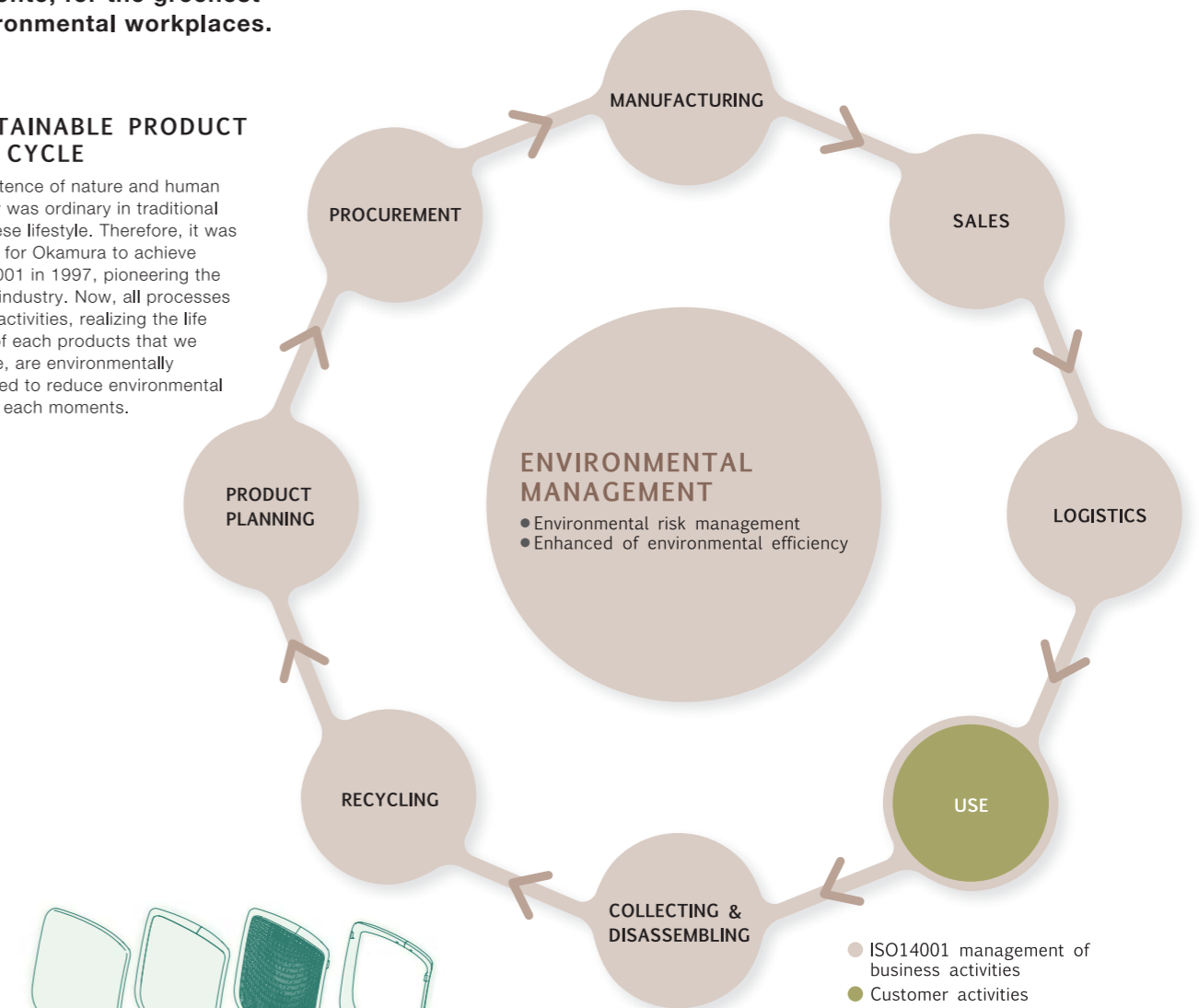


SUSTAINABLY DESIGNED

Visconte, for the greenest environmental workplaces.

SUSTAINABLE PRODUCT LIFE CYCLE

Coexistence of nature and human society was ordinary in traditional Japanese lifestyle. Therefore, it was natural for Okamura to achieve ISO14001 in 1997, pioneering the global industry. Now, all processes of our activities, realizing the life cycle of each products that we provide, are environmentally managed to reduce environmental load in each moments.



DESIGNED TO LIVE LONG, AND RECYCLED

Many components of Visconte can be attached, detached or replaced after arriving to users hand. There is no need to have overmuch features before needing those, nor to replace the whole chair before the end of its life. Instead of going to the grave, almost all of Visconte can be disassembled to single materials and send to recycling to rebirth.



okamura

OKAMURA CORPORATION
International Sales & Marketing Div.
2-14-27, Akasaka, Minato-ku, Tokyo, 107-0052 JAPAN
Tel : +81-3-5561-4085 Fax : +81-3-5561-4086
<http://www.okamura.jp/>

The products listed in this catalog are available as of 2008/07. Please note that specifications, dimensions, and colors are subject to change without notice. The colors of the actual products may differ somewhat from the colors shown in the catalog, depending on printing conditions. The dimensions given in this catalog are in millimeters.

YOCK18-281 P.DN '12-08 Printed in Japan